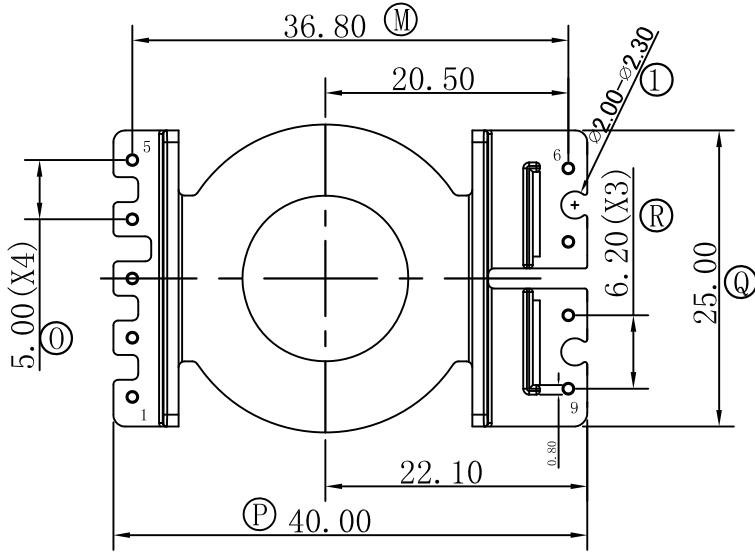
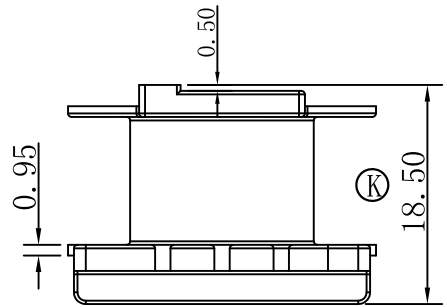
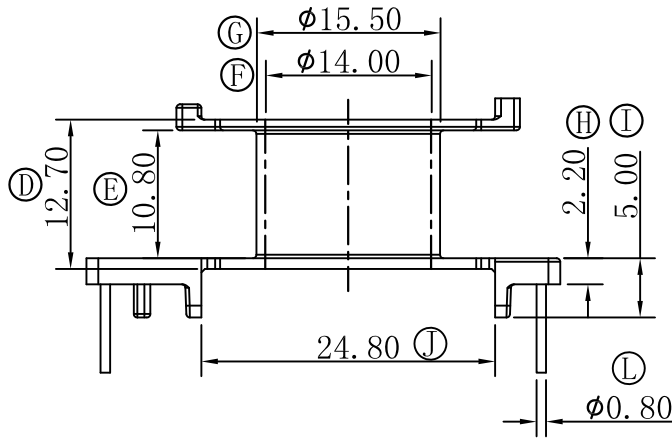
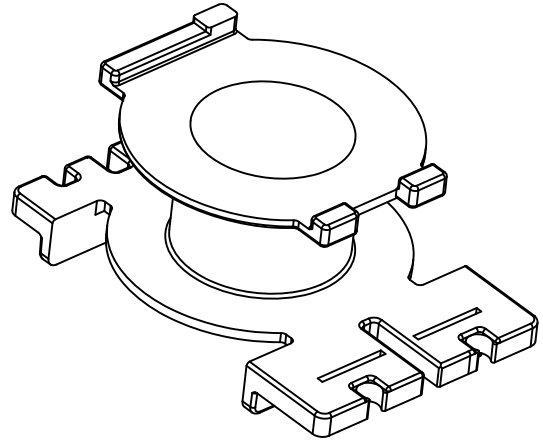
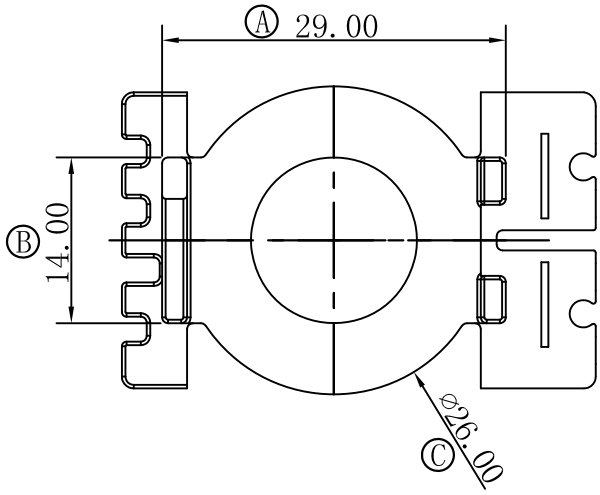


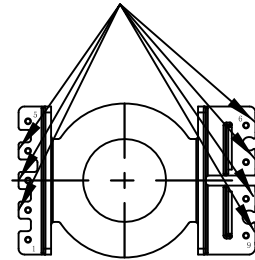
型号

POT-3323



修改示意图=2021-6-10

PIN座侧面小过线槽取消, 增加针边强度



REV	DATE	REVISIONS REC
1	21-6-10	PIN座侧面小过线槽取消, 版本1.1

深圳市捷达成电子有限公司

SHENZHEN JIE DA CHENG ELECTRONICS CO.,LTD.  
TEL:0755-27317730 FAX:0755-27317731

ANGLE:  
+/-1°

MODEL NAME:  
POT-3323 5+4PIN

UNIT:  
MM

UL REC:  
UL 94V-0

BOBBIN MATERIAL:  
PHENOLIC

DRAFTER WANG HENG

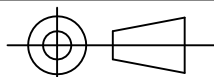
TOLERANCE  
0<L<4 ±0.1  
4<L<16 ±0.2  
16<L<50 ±0.3  
PIN PITCH ±0.2

SCALE:  
4/1

PIN TENSION LOAD:  
1.0KG MIN

PIN MATERIAL:  
CP WIRE

CHECKER Y.F.



DATE:  
2017-09-13

DRAWING NO:  
POT-33

REV:  
1.1